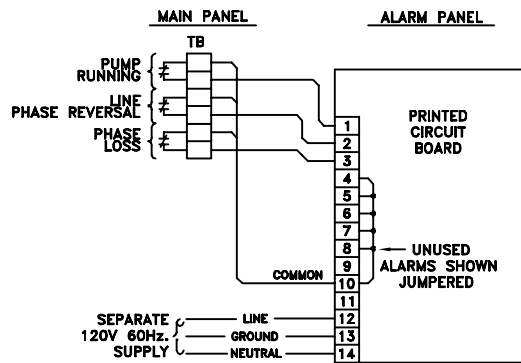


# Schematic Diagram

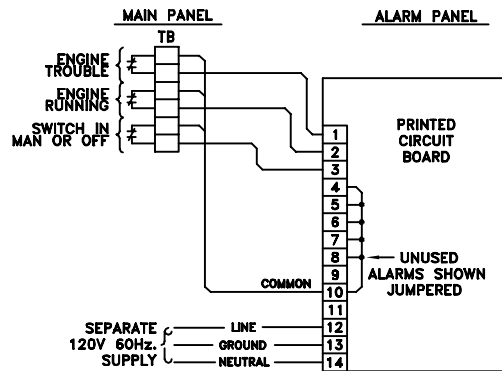
Alarm Panel For  
LX-2000 Diesel and Electric Controllers

# LX-908

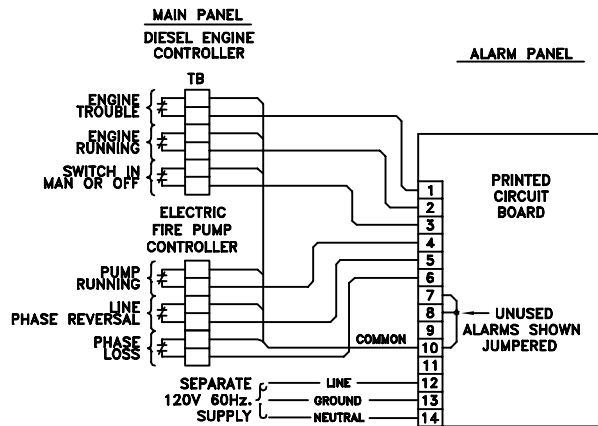
REMOTE ALARM PANEL CONNECTIONS  
ELECTRIC FIRE PUMP CONTROLLERS



REMOTE ALARM PANEL CONNECTIONS  
DIESEL ENGINE CONTROLLER LX-2000



REMOTE ALARM PANEL CONNECTIONS  
ELECTRIC & DIESEL ENGINE CONTROLLER



**NOTE:**

1. REMOTE CONTACTS MUST BE DRY NORMALLY CLOSED, OPEN TO ALARM
2. UNUSED ALARMS MUST BE JUMPERED
3. FOR OTHER ALARMS CONSULT FACTORY
4. BATTERY BACK-UP AVAILABLE
5. 8 ALARM POINTS ARE STANDARD



HUBBELL INDUSTRIAL CONTROLS, INC.  
50 Edwards Street  
Madison, Ohio 44057

DATE: 2/5/02	REV. B
DRAWING NUMBER: PC-90500-001	